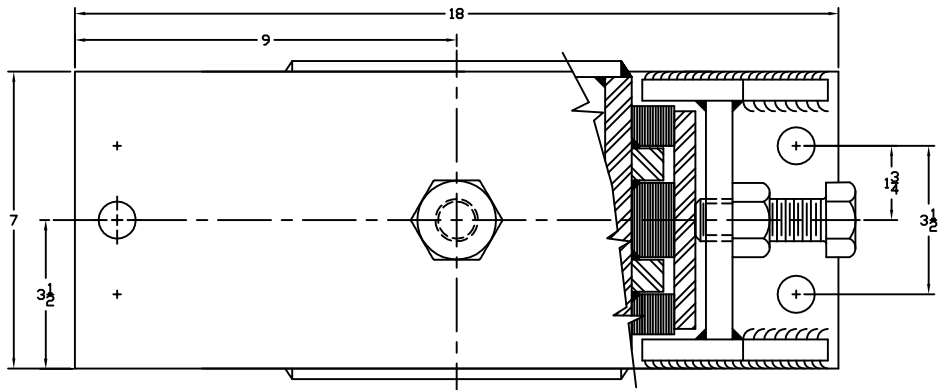


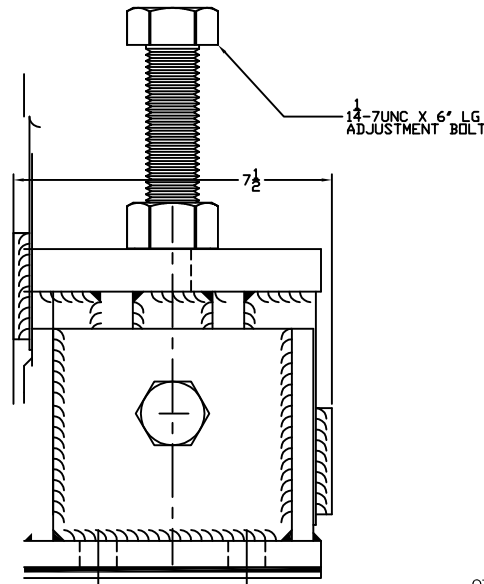
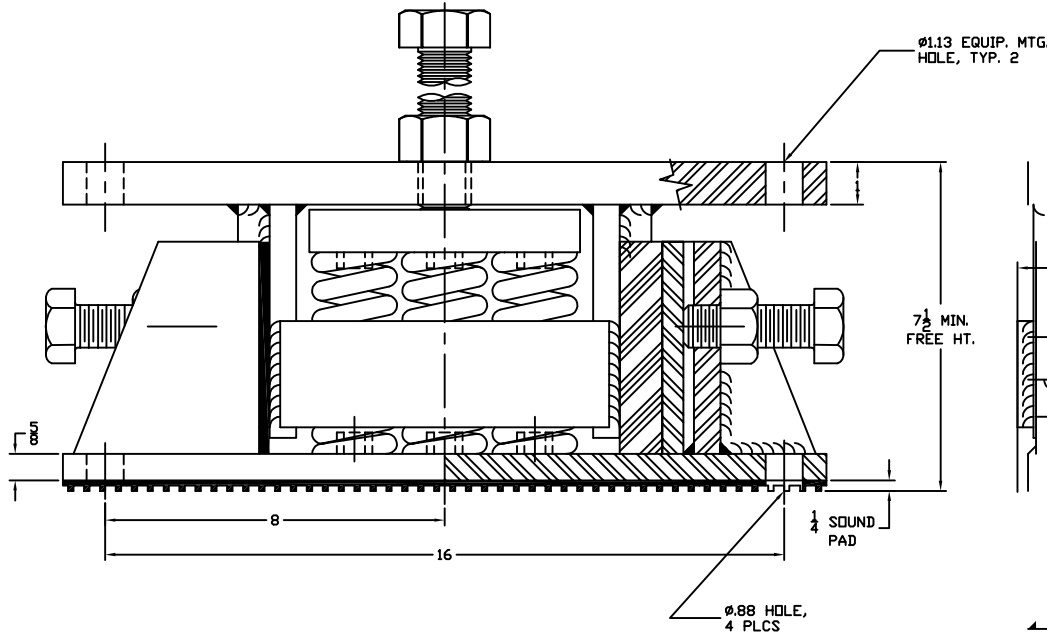
REV.	DESCRIPTION	DATE	BY

PART NUMBER	ISOLATOR MODEL	MAX. STEADY (LBS)	MAX. IMPACT (LBS)	ISOLATOR CONSTANT (LBS)	MIN. FREE HEIGHT	COLOR CODE
607193-754	SKH-754	7640	5720	11540	7 1/2	PINK
607193-755	SKH-755	9540	7150	14430		
607193-756	SKH-756	11450	8580	17320		
607193-757	SKH-757	13370	10000	20200		
607193-758	SKH-758	15300	11460	23090		
607193-759	SKH-759	17,200	12900	25970		



NOTES:

1. CURRENTLY UNDER ENGINEERING REVIEW.
2. ALL DIMENSIONS IN INCHES. INTERPRET PER ANSI Y14.
3. STANDARD FINISH:
 - A. ONE COAT STANDARD VMC COLOR
 - B. SPRING: POWDER COATED
 - C. HARDWARE: ELECTRO-ZINC PLATED
4. APPROXIMATE UNIT WEIGHT: 120 LBS



OTHER MATERIALS, COMPOUNDS, OR FINISHES WITH EQUAL OR SUPERIOR PROPERTIES MAY BE SUBSTITUTED AS THEY BECOME AVAILABLE.

CERTIFIED FOR:

JOB NAME: _____
 CUSTOMER : _____
 CUSTOMER P.O.: _____
 SALES ORDER: _____

MODEL SKH 7640-17200 LBS.SPRING ISOLATOR WITH ADJUSTABLE SNUBBER



THE VMC GROUP
The Power of Together
 Bloomingdale, NJ 07403
 Houston, TX 77041

SCALE:	NONE	
SHEET:		
DRAWING NO.:		REVISION